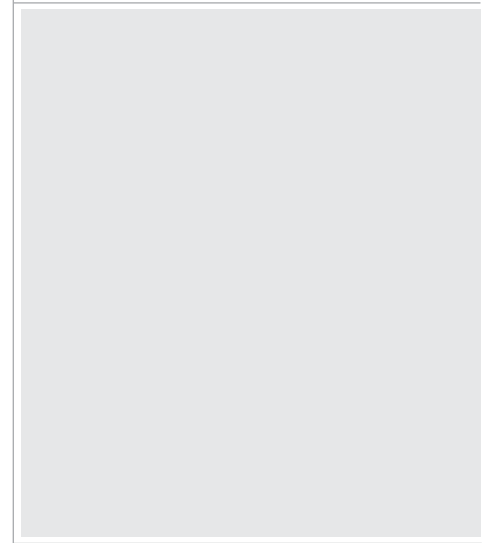


Vicinity Map



Siteplan Legend

- A** Logo 1
- B** Complete Car Care
- C** Quick Oil Change
- D** MID (Location TBD)

**PROMOTION PLUS SIGN CO., INC.**  
 "The Imaging Experts"

Check Us Out On [zoomsignsupply.com](http://zoomsignsupply.com) Now part of the PROMOTION PLUS SIGN CO., INC. Family

21034 Osborne St. (P) 818.993.5406  
 Canoga Park, CA 91304 (F) 818.993.3174

State License: 853228

**Job Location**  
 3046 E Riggs Rd,  
 Chandler, Arizona 85249

**Bill Information**  
 Brake Masters of Sacramento, Inc.  
 6179 E. Broadway Blvd.  
 Tucson, AZ 85711-4208  
 (520) 512-0000  
 Shalom Latin  
 shalom.latin@brakemasters.com

**Project Information**  
 Project: Job Name  
 Date: 02.28.2022

**Approval**

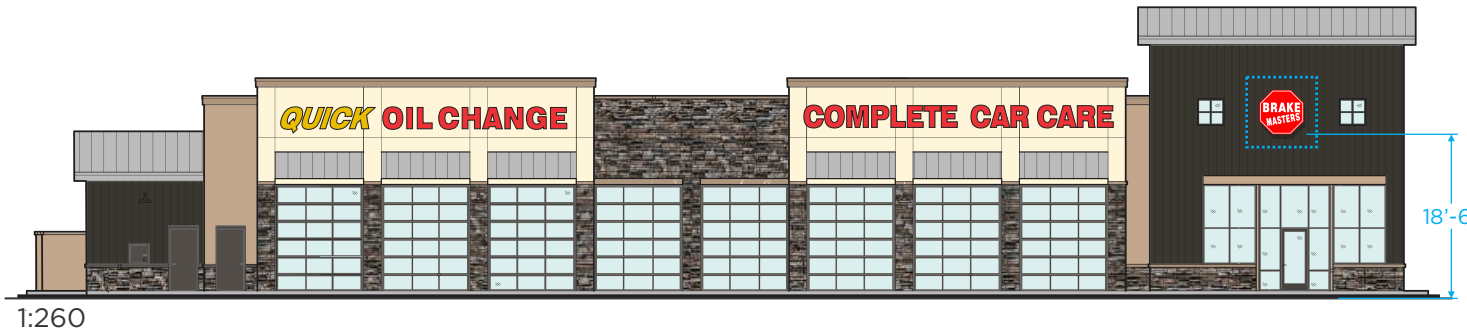
Owner  Date

I have reviewed all renderings and I am satisfied with the look and the scope of work listed within.

This rendering is property of Promotion Plus Sign Co., Inc. and cannot be reproduced without written consent of owner

CONCEPT

West Elevation (LOGO)



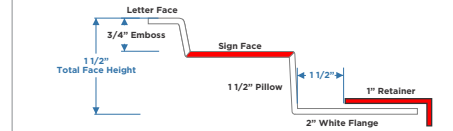
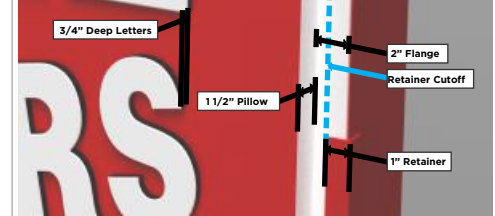
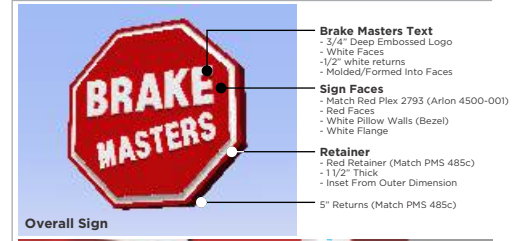
1:260

Electrical Specifications

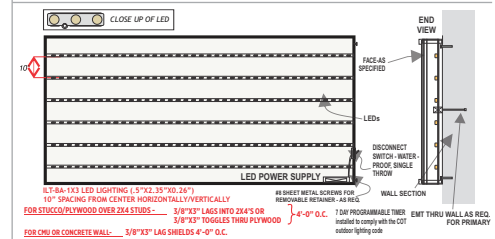
- (130) WHITE LED MODULES @ 0.72W EA= 93.60W TOTAL
- (1) 12V 100W POWER SUPPLIES @ 2.2 AMPS EA.
- (1) CUSTOMER PROVIDED 120V/20A/60HZ DEDICATED CIRCUIT REQUIRED

**TOTAL CIRCUIT LOAD:  
2.2 AMPS @ 120 VAC**

Sign Detail

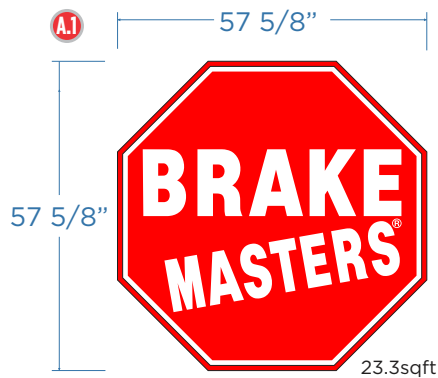


Single Face Aluminum Sign



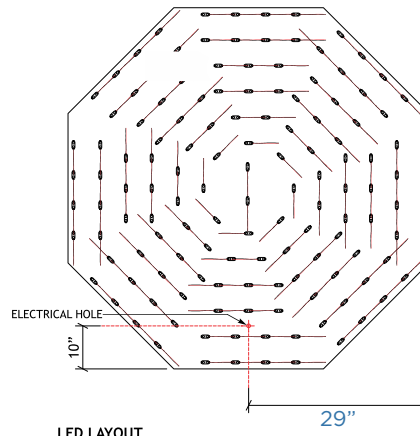
- PMS 122c** | Yellow Plexiglass 2037  
3M 3630-235 Autumn Yellow
- PMS 485c** | Red Plexiglass 2793  
Spraylat To match Arlon 4500-001 RED

FRONT PROFILE



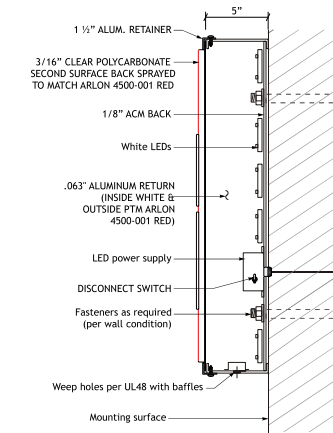
**Building Logo | Single Face | 1:36**

5" Red Returns | 1" Red Retainer | Pan Formed Faces  
Internally Illuminated - LED | Install Flush Mount



LED LAYOUT

SCALE: NTS



ILLUMINATED BUILDING SIGN

SIDE SECTION VIEW

SCALE: NTS

Job Location

3046 E Riggs Rd,  
Chandler, Arizona 85249

Bill Information

Brake Masters of Sacramento, Inc.  
6179 E. Broadway Blvd.  
Tucson, AZ 85711-4208  
(520) 512-0000  
Shalom Latin  
shalom.latin@brakemasters.com

Project Information

Project: Job Name

Date: 02.28.2022

Approval

**Owner** **Date**  
I have reviewed all renderings and I am satisfied with the look and the scope of work listed within.

This rendering is property of Promotion Plus Sign Co., Inc. and cannot be reproduced without written consent of owner

CONCEPT

**PROMOTION PLUS SIGN CO., INC.**  
"The Imaging Experts"

21034 Osborne St. (P) 818.993.5406  
Canoga Park, CA 91304 (F) 818.993.3174

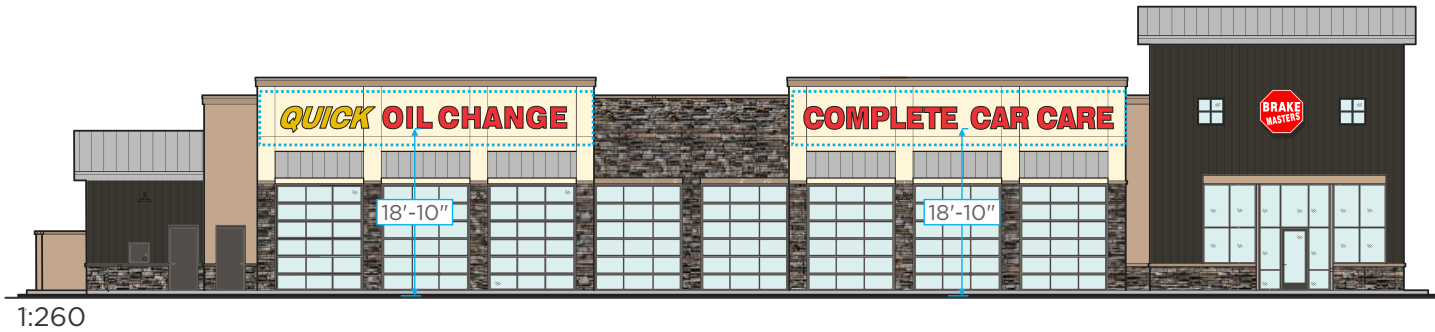
State License: 853228

Check Us Out On zoomsupply.com

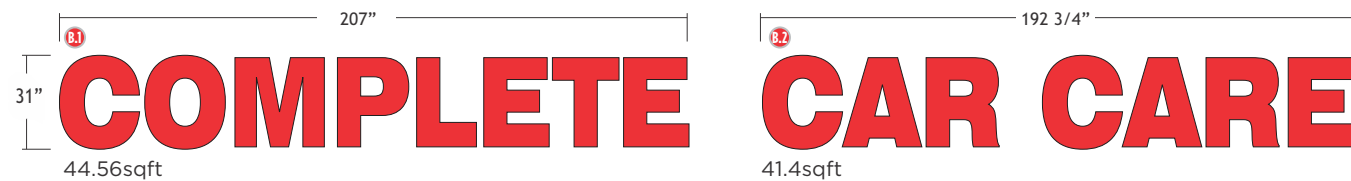
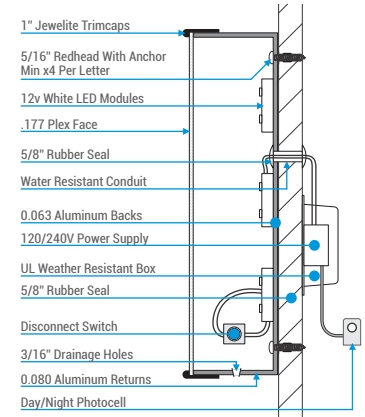
Now part of the PROMOTION PLUS SIGN CO., INC Family

API CERTIFIED

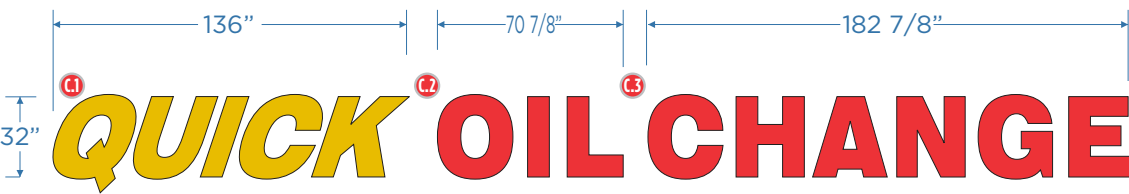
West Elevation (Letters)



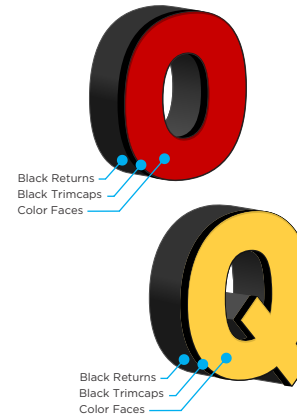
Electrical Specifications



**COMPLETE CAR CARE**  
 44.56sqft  
**Front Illuminated Channel Letters | Front illuminated | x1**  
 Internally Illuminated - LED | Install Flush Mount | Size Reduced By 1\"/>



**QUICK OIL CHANGE**  
 30.22sqft 15.75sqft 40.63sqft  
**Front Illuminated Channel Letters | Front illuminated | x1**  
 3\"/>



RETURNS:	3" DEEP .040 ALUMINUM
BACKS:	.040 ALUMINUM
FACE MATERIAL:	3/16" RED AND YELLOW PLEX
TRIM CAP:	1"BLACK
LIGHTING:	WHITE BEHIND YELLOW LETTERS, RED BEHIND RED LETTERS
INSTALL METHOD:	FLUSH MOUNT
EXTRAS:	PACKAGE AND SHIP TO SITE FOR INSTALL

<b>PMS 122c</b>	Yellow Plexiglass 2037 3M 3630-235 Autumn Yellow
<b>PMS 485c</b>	Red Plexiglass 2793 Arlon 4500-001 RED



**Job Location**  
 3046 E Riggs Rd,  
 Chandler, Arizona 85249

**Bill Information**  
 Brake Masters of Sacramento, Inc.  
 6179 E. Broadway Blvd.  
 Tucson, AZ 85711-4208  
 (520) 512-0000  
 Shalom Latin  
 shalom.latin@brakemasters.com

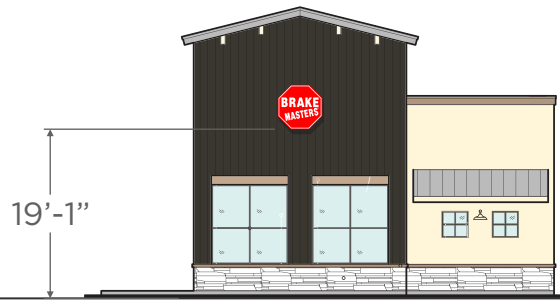
**Project Information**  
 Project: Job Name  
 Date: 02.28.2022

Approval

Owner: \_\_\_\_\_ Date: \_\_\_\_\_  
 I have reviewed all renderings and I am satisfied with the look and the scope of work listed within.  
 This rendering is property of Promotion Plus Sign Co., Inc. and cannot be reproduced without written consent of owner

Check Us Out On zoomsupply.com  
 21034 Osborne St. Canoga Park, CA 91304  
 State License: 853228  
 (P) 818.993.5406  
 (F) 818.993.3174  
 Now part of the PROMOTION PLUS SIGN CO., INC Family  
 APPI CERTIFIED

CONCEPT



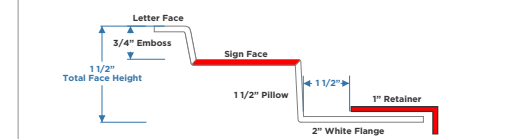
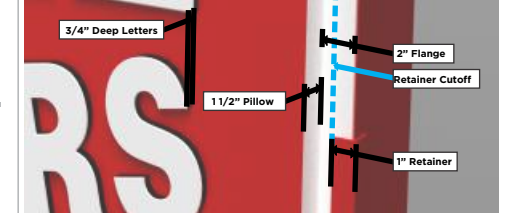
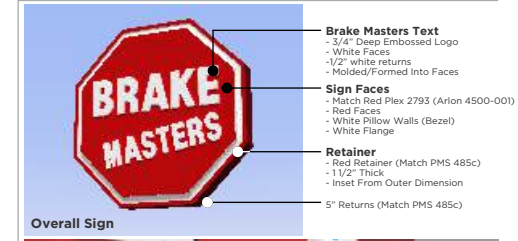
1:260

Electrical Specifications

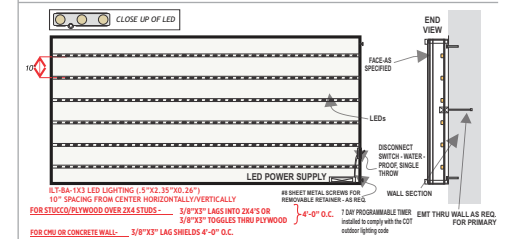
- (130) WHITE LED MODULES @ 0.72W EA= 93.60W TOTAL
- (1) 12V 100W POWER SUPPLIES @ 2.2 AMPS EA.
- (1) CUSTOMER PROVIDED 120V/20A/60HZ DEDICATED CIRCUIT REQUIRED

**TOTAL CIRCUIT LOAD:  
2.2 AMPS @ 120 VAC**

Sign Detail

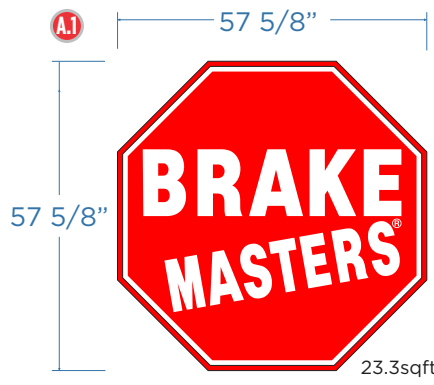


Single Face Aluminum Sign



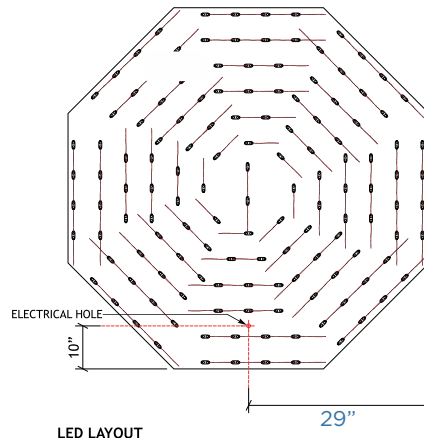
- PMS 122c** | Yellow Plexiglass 2037  
3M 3630-235 Autumn Yellow
- PMS 485c** | Red Plexiglass 2793  
Spraylat To match Arlon 4500-001 RED

FRONT PROFILE



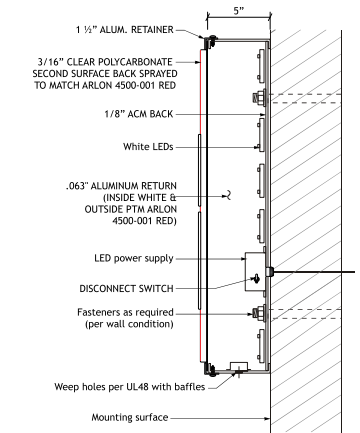
**Building Logo | Single Face | 1:36**

5" Red Returns | 1" Red Retainer | Pan Formed Faces  
Internally Illuminated - LED | Install Flush Mount



LED LAYOUT

SCALE: NTS



ILLUMINATED BUILDING SIGN

SCALE: NTS

Job Location

3046 E Riggs Rd,  
Chandler, Arizona 85249

Bill Information

Brake Masters of Sacramento, Inc.  
6179 E. Broadway Blvd.  
Tucson, AZ 85711-4208  
(520) 512-0000  
Shalom Latin  
shalom.latin@brakemasters.com

Project Information

Project: Job Name

Date: 02.28.2022

Approval

Owner:  Date:

I have reviewed all renderings and I am satisfied with the look and the scope of work listed within.

This rendering is property of Promotion Plus Sign Co., Inc. and cannot be reproduced without written consent of owner

CONCEPT

**PROMOTION PLUS SIGN CO., INC.**  
"The Imaging Experts"

Check Us Out On zoomsupply.com

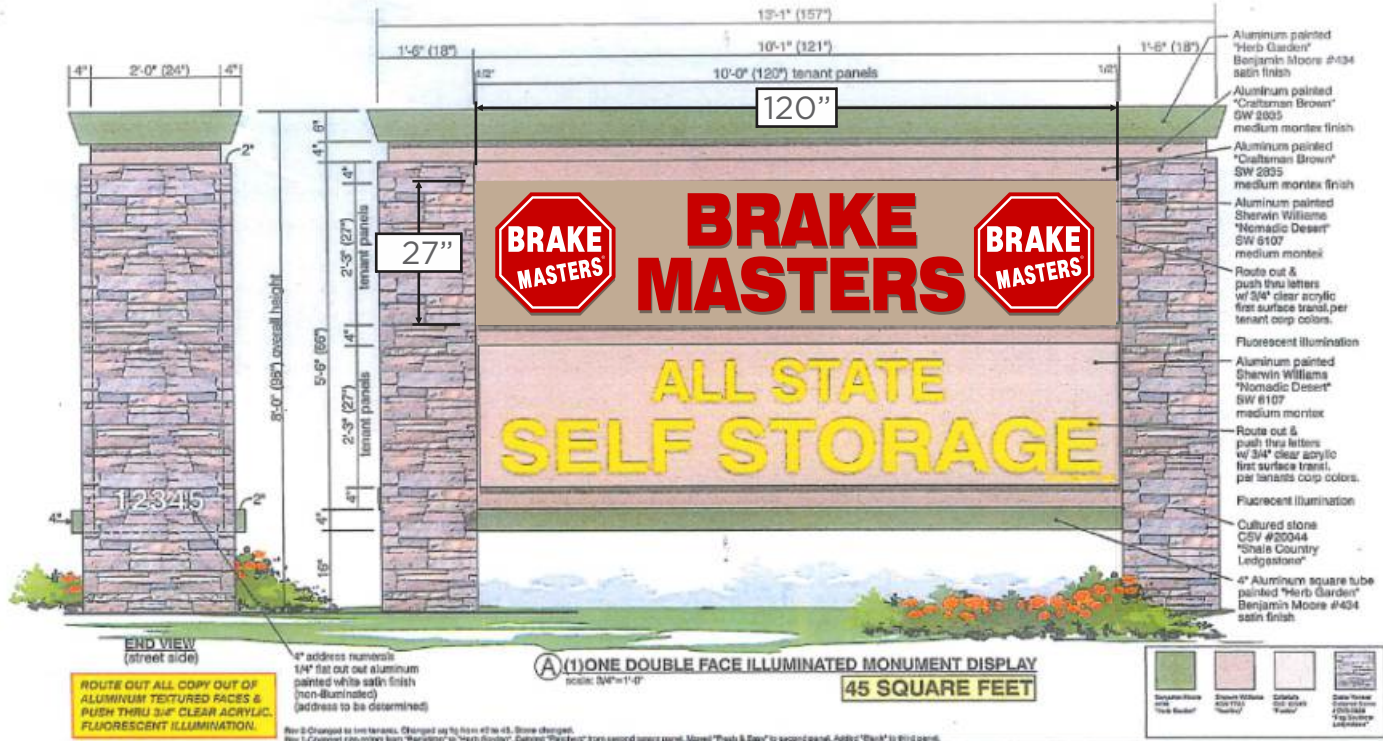
21034 Osborne St. Canoga Park, CA 91304  
State License: 853228

(P) 818.993.5406  
(F) 818.993.3174

Now part of the PROMOTION PLUS SIGN CO., INC Family

API CERTIFIED

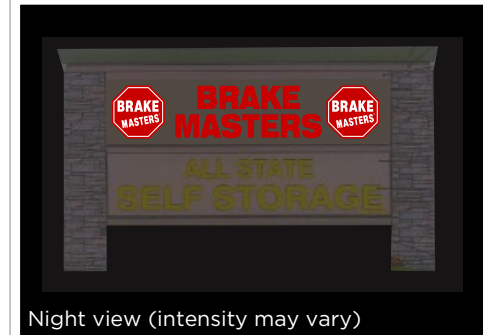




Existing Sign

TBD

Night View



Details

- Cabinet — Reface Existing
- Faces — Lexann/Poly

**PMS 485c** | Red Plexiglass 2793  
Arlon 4500-001 RED

**MID Faces (Monument Location TBD)**

Aluminum Face With Front Illuminated Pushthrough  
3/4" Clear Acrylic With Vinyl First Surface  
Install On Existing Sign

**PROMOTION PLUS SIGN CO., INC.**  
"The Imaging Experts"

21034 Osborne St. | (P) 818.993.5406  
Canoga Park, CA 91304 | (F) 818.993.3174

State License: 853228

Partners: Zoomsigns Supply, Kennor Electric, Promotion Plus Sign Co., Inc. Family

**Job Location**  
3046 E Riggs Rd,  
Chandler, Arizona 85249

**Bill Information**  
Brake Masters of Sacramento, Inc.  
6179 E. Broadway Blvd.  
Tucson, AZ 85711-4208  
(520) 512-0000  
Shalom Latin  
shalom.latin@brakemasters.com

**Project Information**  
Project: Job Name  
Date: 02.28.2022

**Approval**

Owner: [Signature]  
Date: [Signature]

I have reviewed all renderings and I am satisfied with the look and the scope of work listed within.

This rendering is property of Promotion Plus Sign Co., Inc. and cannot be reproduced without written consent of owner

CONCEPT